

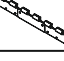
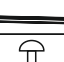
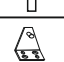





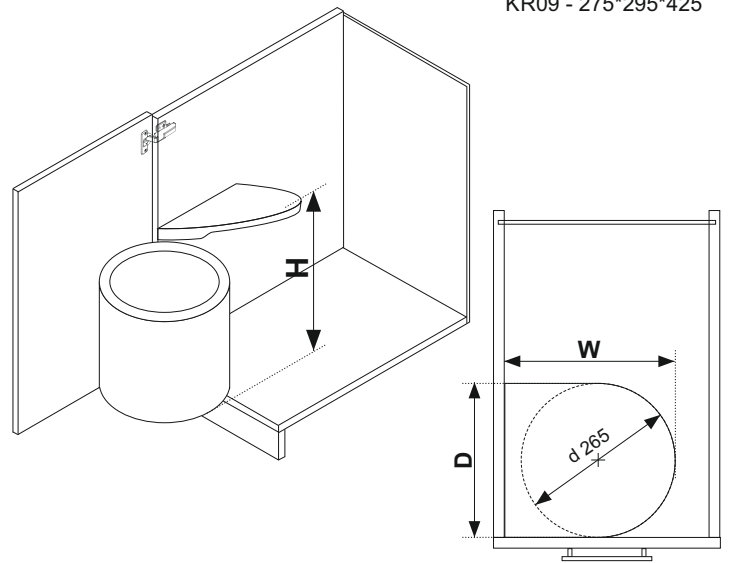
KR09/1/0/450 ASSEMBLY INSTRUCTIONS

Waste-basket for frames with the hinged front walls and multipurpose fixings (right or left)

COMPONENT PARTS

PRODUCT PARAMETERS, D×W×H
KR09 - 275*295*425

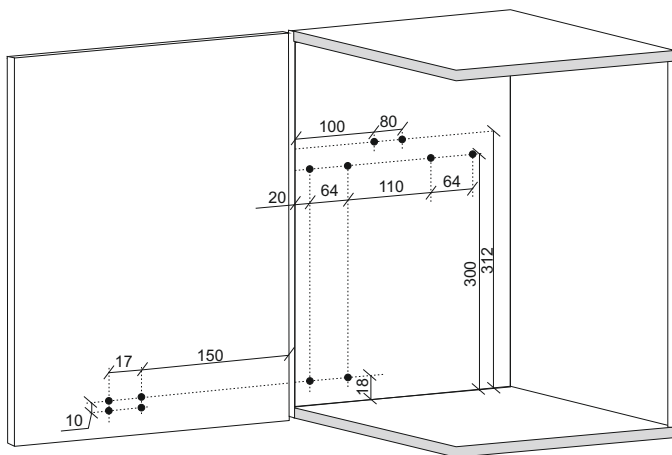
Picture	Name	Tag	Pcs
	Moveable bucket	A	1
	Basket frame	B	1
	Mounting bar	C	1
	Fixing support arm	D	1
	Basket fastener	E	1
	Holder plate	F	1
	Cover	G	1
	Self-tapping screw, 4×16 mm	H	12



ASSEMBLY

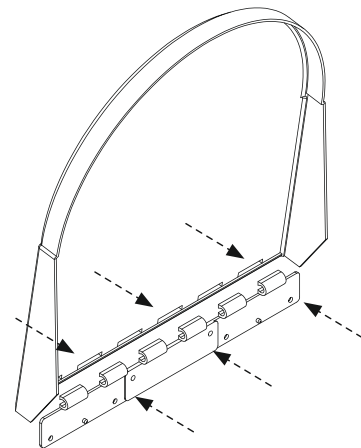
1

Mark the front wall and the basket sidewall.



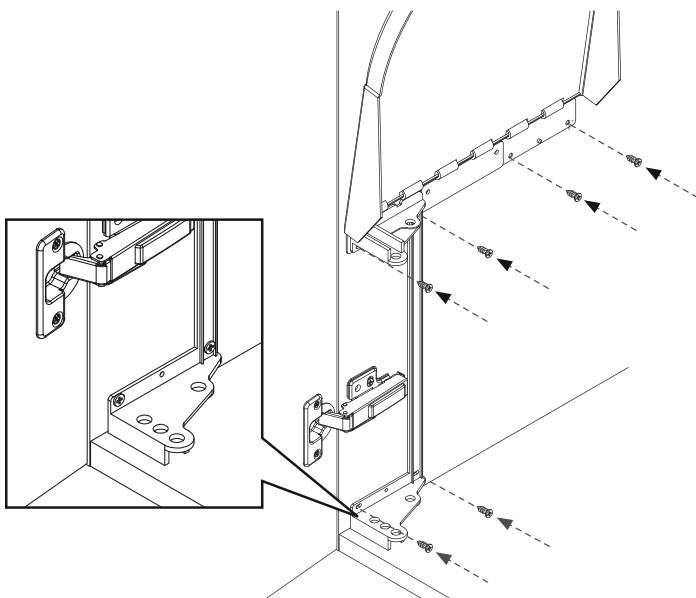
2

Fix the cover G on the mounting bar C.



3

Set the fixing support arm D on the sidewall and place the holder plate F on the front wall with the help of self-tapping screws (H).



4

Remove the protective film from the basket frame B. Set the basket frame on the holder plate F and attach it with the fastener E. Insert the bucket A into the frame B.

