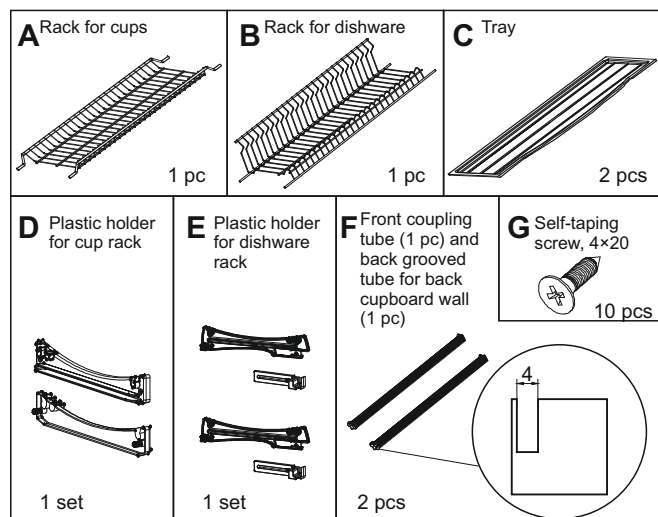


SU06 «LORA» ASSEMBLY INSTRUCTIONS

Dish rack for upper base with L-shaped lower level

COMPONENT PARTS



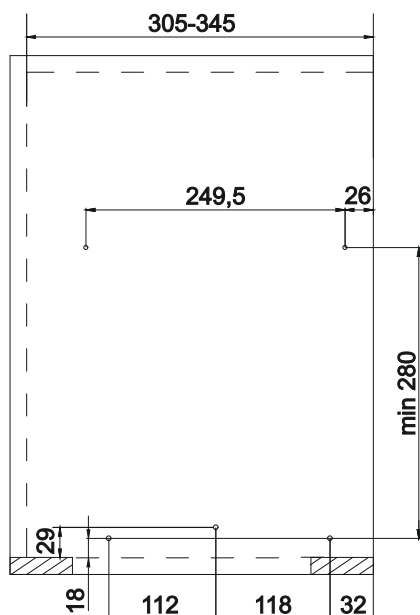
PRODUCT PARAMETERS AND DIMENSIONS OF KITCHEN CUPBOARDS

Item article	A	L	
	Kitchen cupboard width	Length-internal dimension of kitchen cupboard (at plate thickness of 18 mm)	Length-internal dimension of kitchen cupboard (at plate thickness of 16 mm)
SU06/500	500	464	468
SU06/600	600	564	568
SU06/700	700	664	668
SU06/800	800	764	768
SU06/900	900	864	868

The constant maintenance of the dish rack surface after its use will allow keeping the protective coating on the steel surface from the damages. It is necessary to clean rack and tray in time preventing the formation of bloom, stains and various hard deposits.

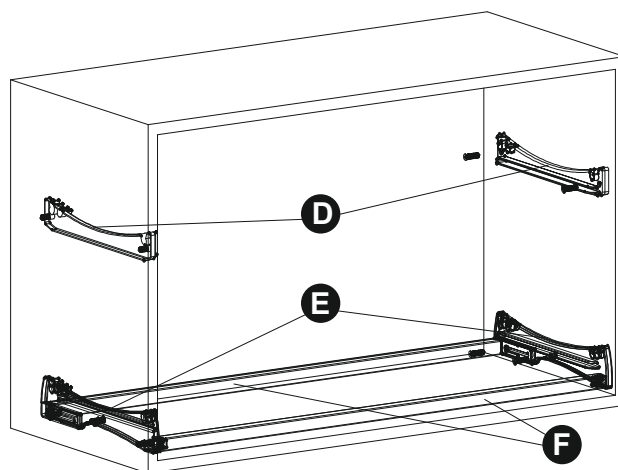
It is possible to use the soap solution to remove the stains from the surface of stainless steel. Thereafter, it is necessary to rinse the surface with the water and rub dry.

The calcium deposits on the product surface may be removed with the help of solution consisting of one part of vinegar and three parts of water. Then the surface is to be rinsed with the water and rubbed dry.

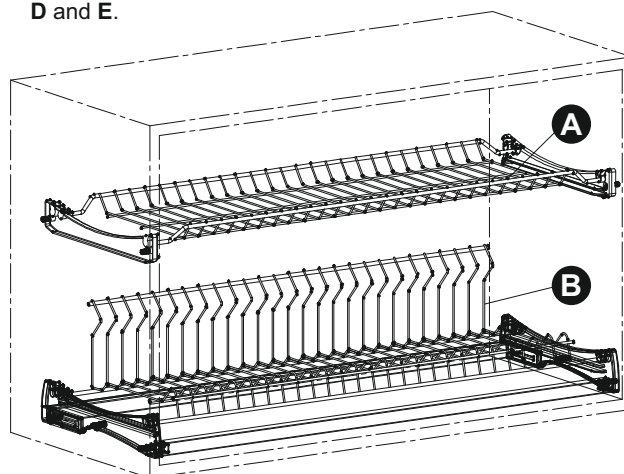


PRODUCT ASSEMBLY SEQUENCE

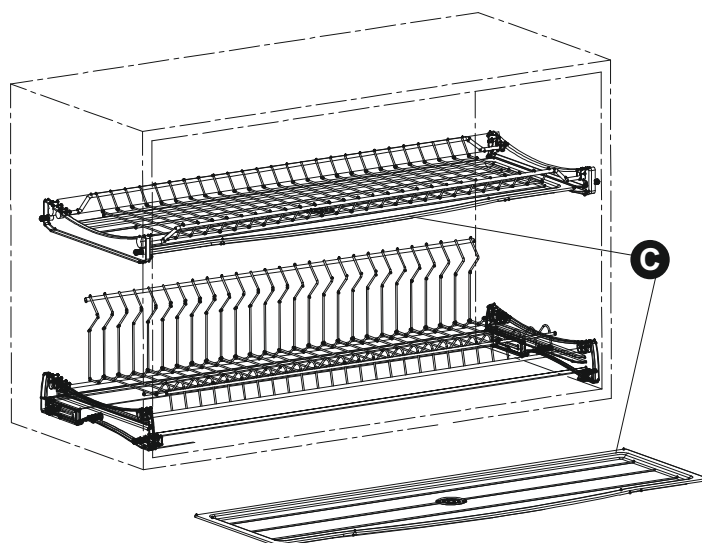
- Fix the plastic holders **D** and **E** as well as set tubes **F** with the help of self-tapping screws **G**.



- Insert the racks **A** and **B** into the grooves of plastic holders **D** and **E**.



- Insert the trays **C** into the grooves of plastic holders **D** and **E**.



It is recommended to ensure the natural air circulation in the rack base.