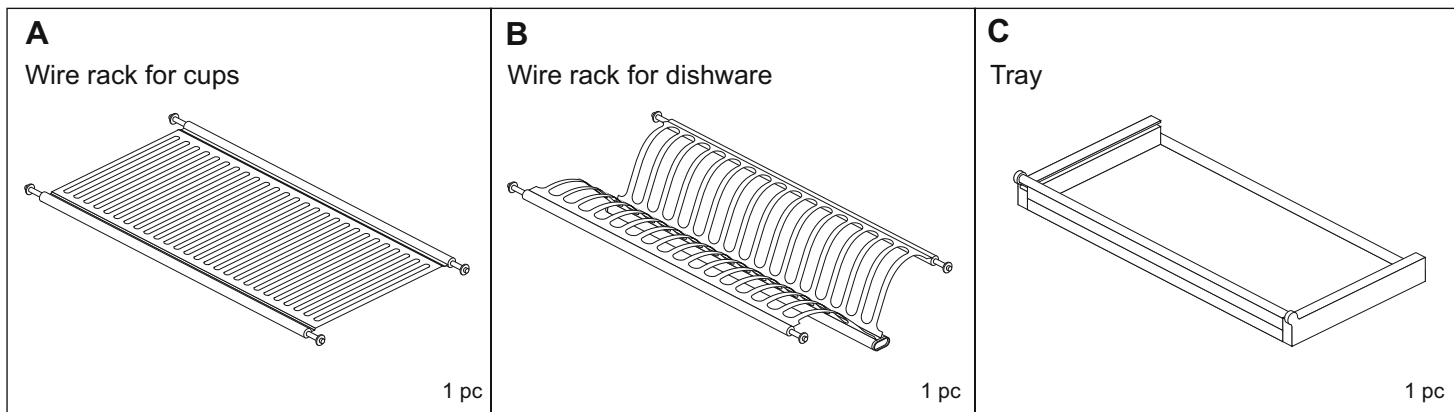


SU02 DISH RACK ASSEMBLY INSTRUCTIONS



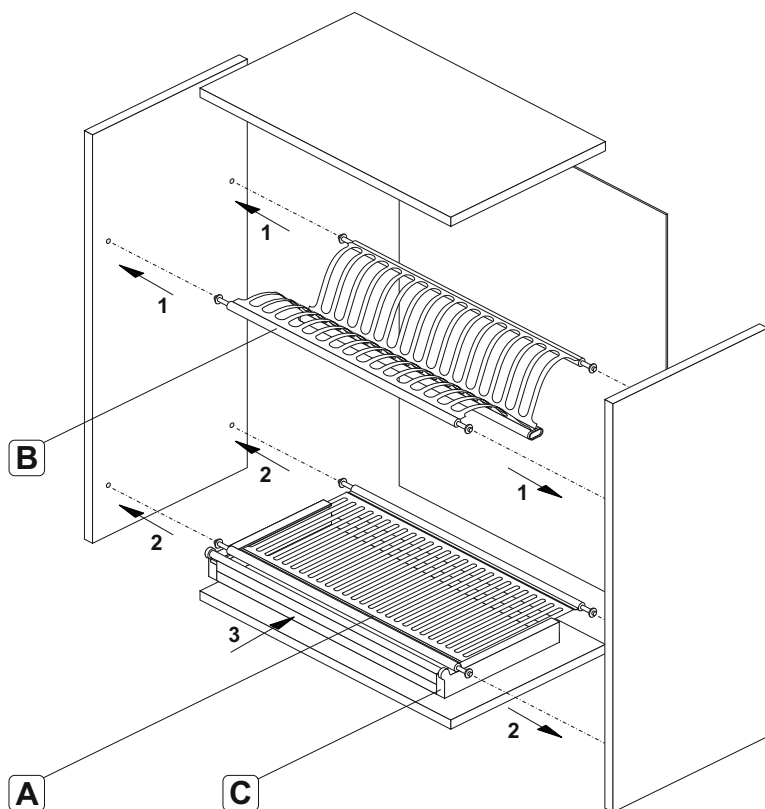
Product parameters and dimensions of kitchen cupboard

Item article	L	A
	Length – internal dimensions, mm	Length of kitchen cupboard, mm
SU02/500	464 ÷ 468	500
SU02/600	564 ÷ 568	600
SU02/700	664 ÷ 668	700
SU02/800	764 ÷ 768	800
SU02/900	864 ÷ 868	900

The constant maintenance of the dish rack surface after its use will allow keeping the protective coating on the steel surface from the damages. It is necessary to clean rack and tray in time preventing the formation of bloom, stains and various hard deposits.

It is possible to use the soap solution to remove the stains from the surface of stainless steel. Thereafter, it is necessary to rinse the surface with the water and rub dry.

The calcium deposits on the product surface may be removed with the help of solution consisting of one part of vinegar and three parts of water. Then the surface is to be rinsed with the water and rubbed dry.



Visit www.boyard.biz or follow QR code to read the full instruction on the regular rack maintenance.

