

CARMA KRS05 assembly instructions

CARMA KRS05 – pullout dish rack with separators for dishware holding equipped with the guide rails with the function of synchronization and dimensioning

COMPONENT PARTS

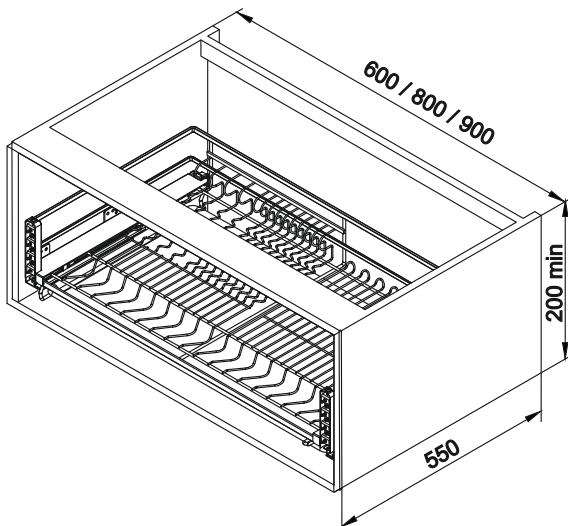
Picture	Name	Tag	Pcs
	Dish rack	A	1
	Set of right and left guide rails	B	1
	Set of right and left fasteners	C	1
	Rack holder plate	D	2
	Front wall holder plate	E	2
	Tray	F	1
	Tray holder plate	G	2
	Screw, M5x8	H	2
	Half-round screw, M5x8	I	2
	Set of right and left edge strips	J	1
	Screw, M4x4	K	4
	Self-tapping screw, ST4x16	L	8
	Self-tapping screw, ST4x14	M	4
	Half-round self-tapping screw, ST4x14	N	8
	Edge strips	O	2
	Master plate of front wall holder plates	P	1

DISH RACK PARAMETERS

KRS05/1/3/600 535x460x160 (WxDxH)

KRS05/1/3/800 735x460x160 (WxDxH)

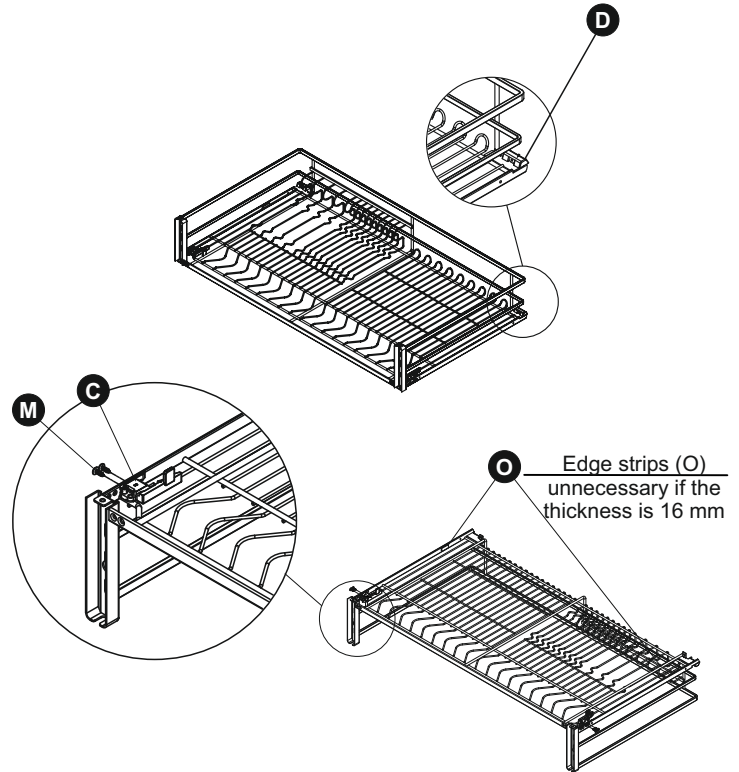
KRS05/1/3/900 835x460x160 (WxDxH)



MOUNTING

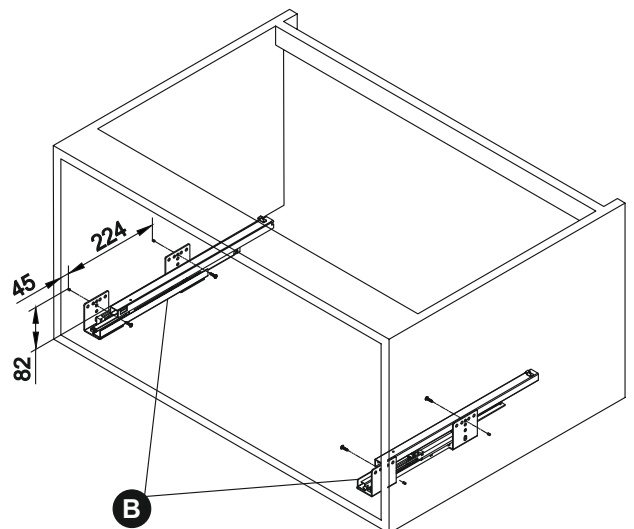
1

- 1.1 Attach the rack holder plate (D) to the dish rack (A)
- 1.2 Set the fasteners (C)



2

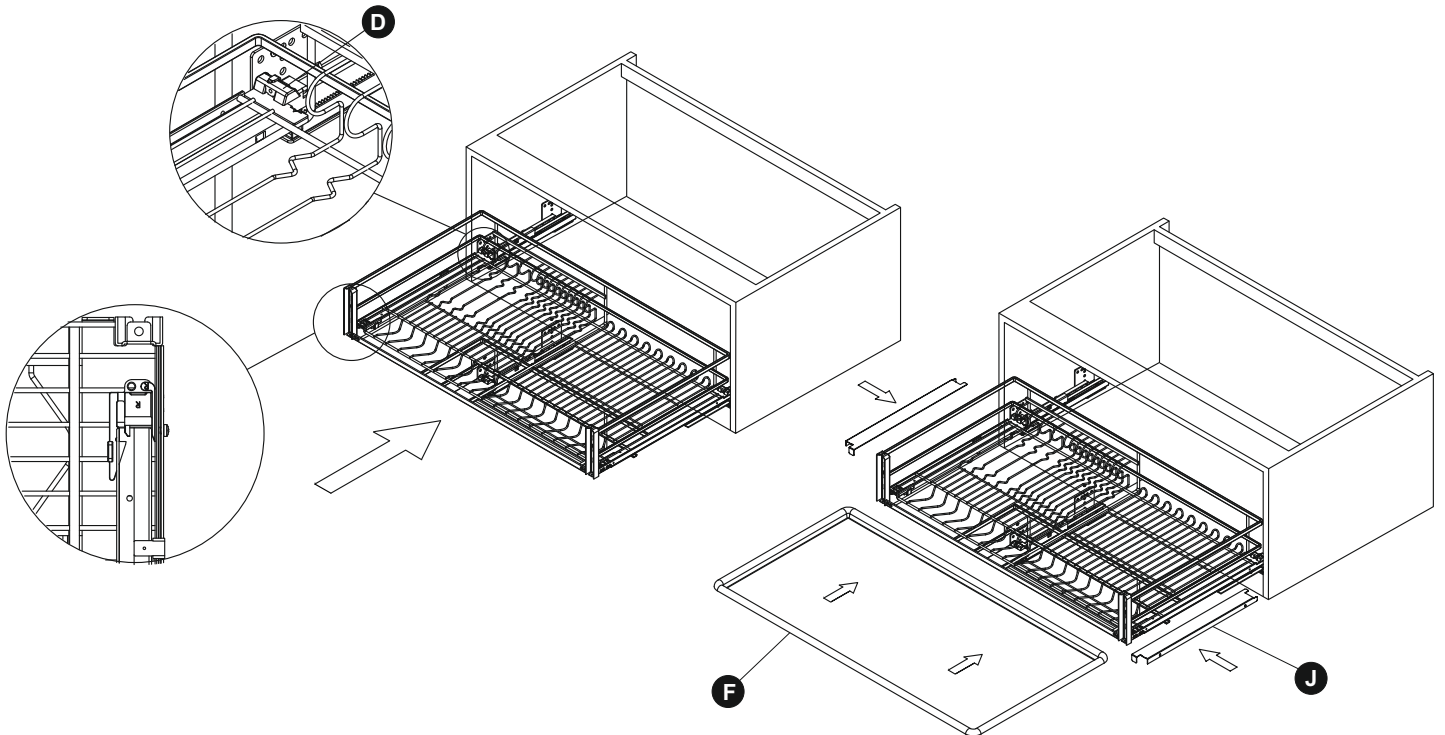
- 2.1 Set the guide rails (B) and fix them with the self-tapping screws (L)



CARMA KRS05 assembly instructions

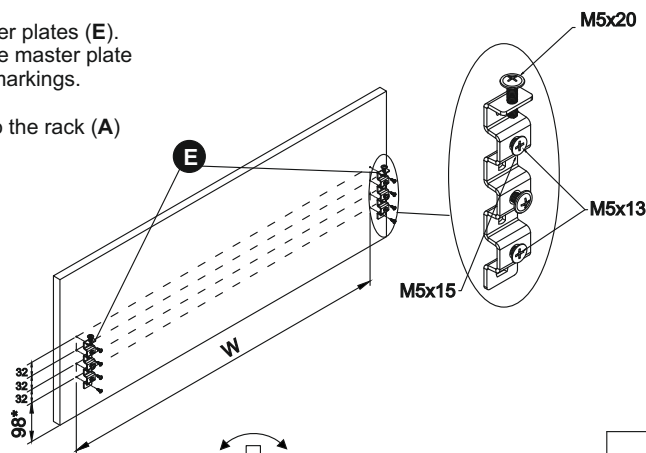
3

- 3.1 Pull out the guide rails (B) and place the rack (A) on them
- 3.2 Set the tray (F) and edge strips (J)



4

- 4.1 Set the front wall holder plates (E).
It is possible to use the master plate (P) for application of markings.
- 4.2 Attach the front wall to the rack (A) and adjust it.



Article	W
KRS05/1/3/600	507
KRS05/1/3/800	707
KRS05/1/3/900	807

