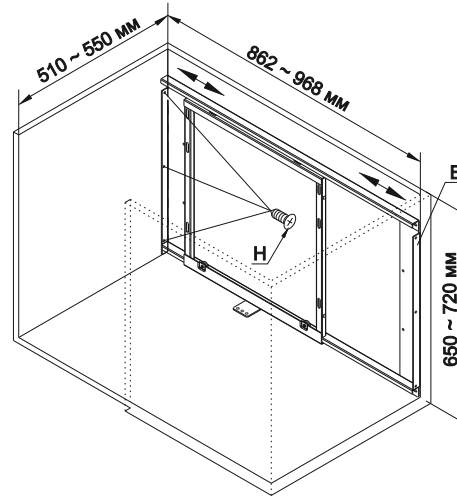


UniVerse basket assembly instructions

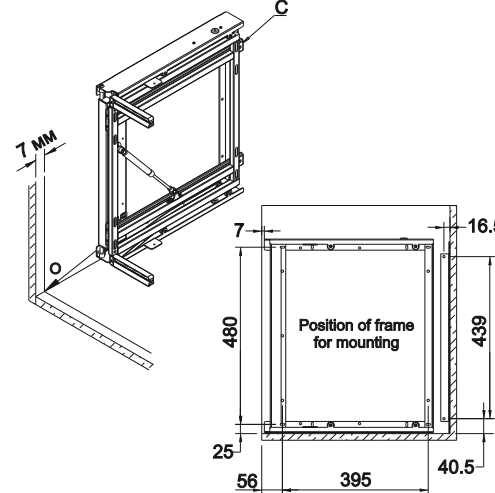
KRM04/900-1000 opened towards the left

COMPONENT PARTS			
Picture	Name	Code	Quantity
	Dowel	A	1 pc
	Back frame	B	1 pc
	Side frame	C	1 pc
	Swing arm	D	1 pc
	Front wall arm, right and left	E	1 set
	Gasket	F	2 pcs
	Washer	K	2 pcs
	M5x12	G	3 pcs
	St4x16	H	30 pcs
	Control bar	I	1 pc
	Large basket	J	2 pcs
	Small basket	K	2 pcs
	Master plate of front wall holder plates	L	1 pc

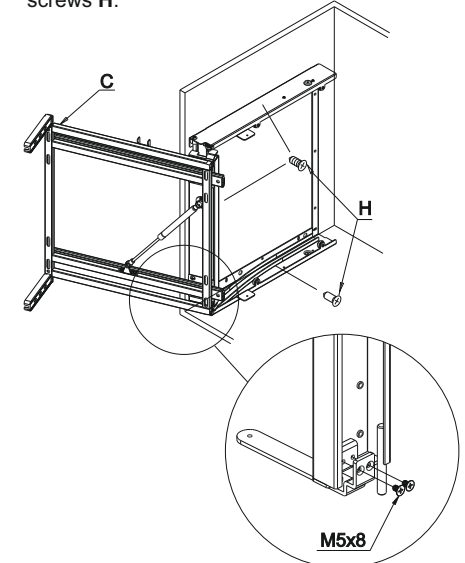
1 Attach the back frame **B** to the side and back walls of cabinet.



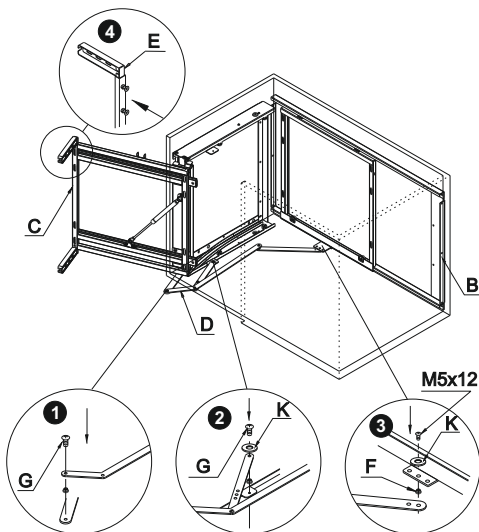
2 Mark the line on the bottom and sidewall of the cabinet at the distance of 7 mm from the edge of front rim. The side frame **C** is to be in the closed position. Line up the extreme point **O** with reference to the marked line.



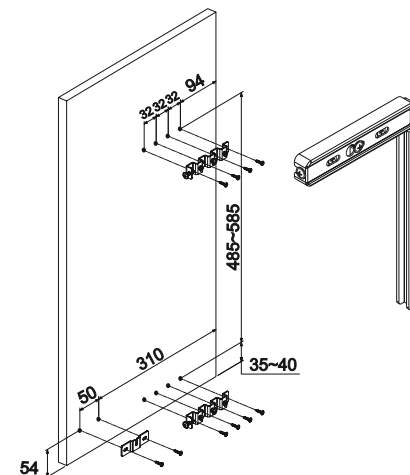
3 Pull out the side frame **C** ensuring its open position and attach it to the cabinet sidewall and bottom with the help of self-tapping screws **H**.



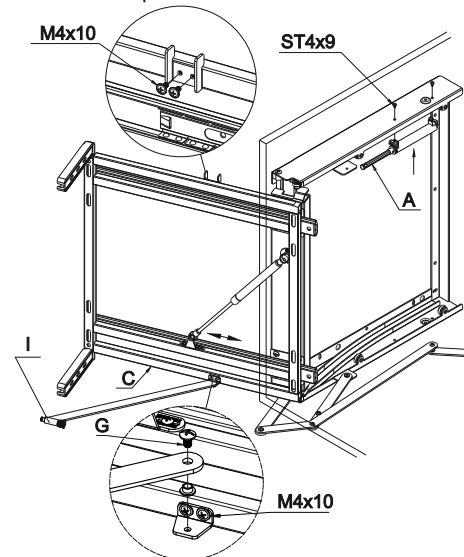
4 Connect the side frame **C** with the back frame **B** with the help of swing arm **D** as well as front wall arm **E** with the pullout side frame **C** and screws **G**.



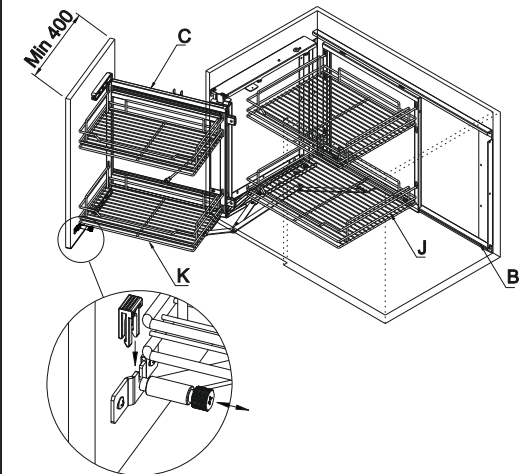
5 Mark out the holes for self-tapping screws **H** on the front wall. It is possible to use the master plate (**L**) for application of markings. Fasten 2 arms **E** and holder plate of control bar **I** with the cutoff looking up to it. Attach the front wall to the pullout side frame with the help of arm and screws.



6 Fix the fastener in the upper part of frame with the screws and attach the dowel **A** to the side frame **C**. Fasten the control bar **I** on the frame with the help of screws **G**.



7 Insert the control bar **I** into the holder plate on front wall and fix it with the plastic fastener. Adjust the position of front wall by means of control bar. Set 2 baskets **J** on the side frame **C**. Set 2 baskets **K** on the back frame **B**.

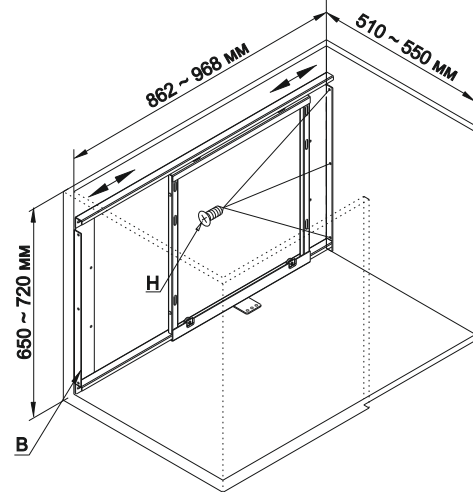


UniVerse basket assembly instructions

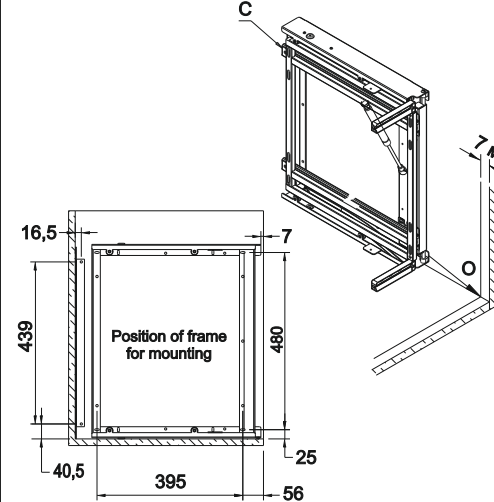
KRM04/900-1000 opened towards the right

COMPONENT PARTS			
Picture	Name	Code	Quantity
	Dowel	A	1 pc
	Back frame	B	1 pc
	Side frame	C	1 pc
	Swing arm	D	1 pc
	Front wall arm, right and left	E	1 set
	Gasket	F	2 pcs
	Washer	K	2 pcs
	M5x12	G	3 pcs
	St4x16	H	30 pcs
	Control bar	I	1 pc
	Large basket	J	2 pcs
	Small basket	K	2 pcs
	Master plate of front wall holder plates	L	1 pc

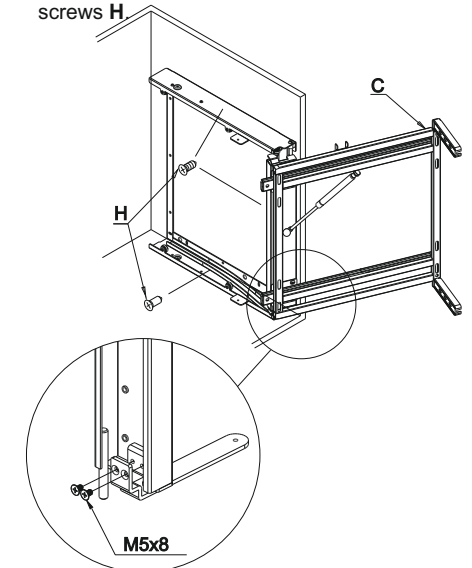
1 Attach the back frame **B** to the side and back walls of cabinet.



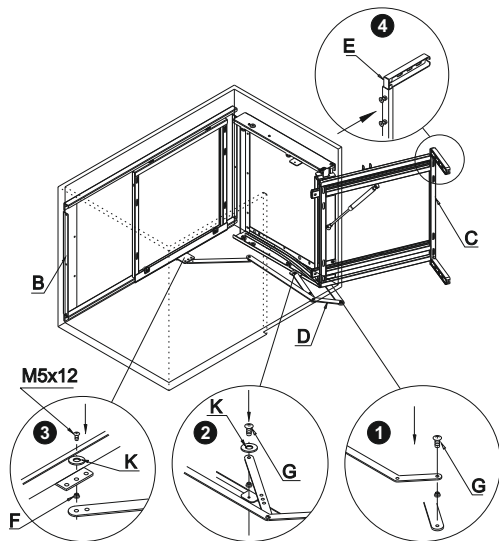
2 Mark the line on the bottom and sidewall of the cabinet at the distance of 7 mm from the edge of front rim. The side frame **C** is to be in the closed position. Line up the extreme point **O** with reference to the marked line.



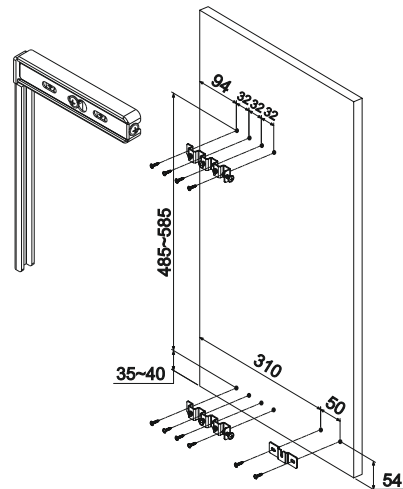
3 Pull out the side frame **C** ensuring its open position and attach it to the cabinet sidewall and bottom with the help of self-tapping screws **H**.



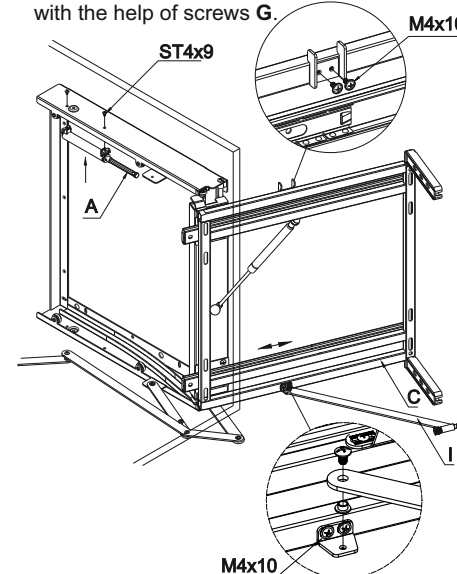
4 Connect the side frame **C** with the back frame **B** with the help of swing arm **D** as well as front wall arm **E** with the pullout side frame **C** and screws **G**.



5 Mark out the holes for self-tapping screws **H** on the front wall. It is possible to use the master plate (**L**) for application of markings. Fasten 2 arms **E** and holder plate of control bar **I** with the cutoff looking up to it. Attach the front wall to the pullout side frame with the help of arm and screws.



6 Fix the fastener in the upper part of frame with the screws and attach the dowel **A** to the side frame **C**. Fasten the control bar **I** on the frame with the help of screws **G**.



7 Insert the control bar **I** into the holder plate on front wall and fix it with the plastic fastener. Adjust the position of front wall by means of control bar. Set 2 baskets **J** on the side frame **C**. Set 2 baskets **K** on the back frame **B**.

