

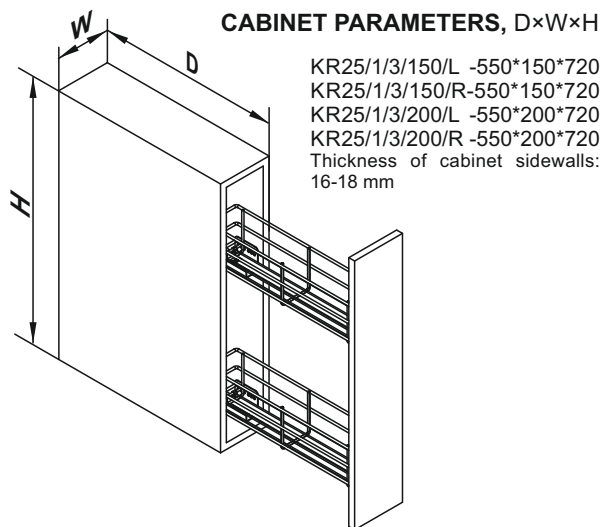
KR25 «BELLA» ASSEMBLY INSTRUCTIONS

Kitchen bottle basket on the flush-mounted guide rails.

KR25/1/3/150/L KR25/1/3/150/R
 KR25/1/3/200/L KR25/1/3/200/R

COMPONENT PARTS

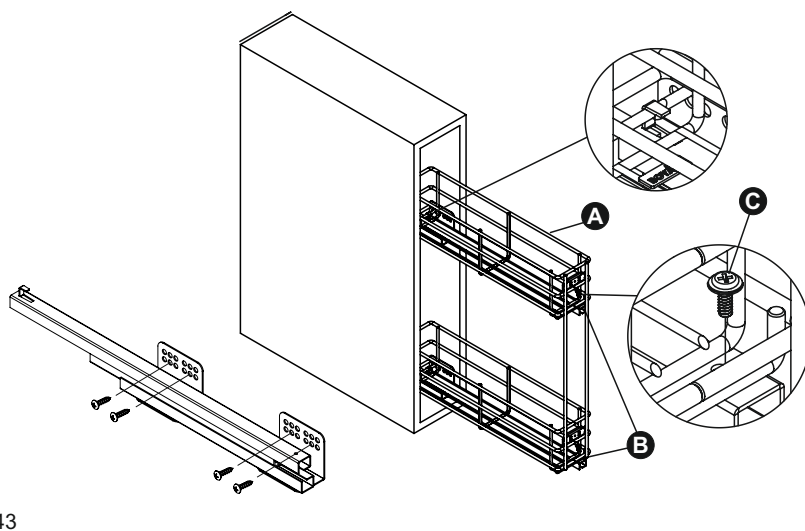
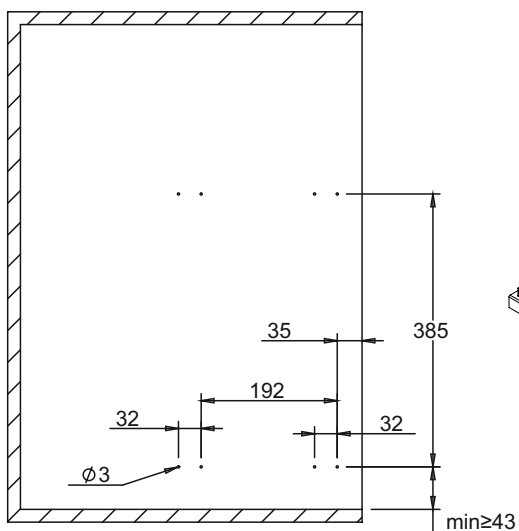
Picture	Name	Tag	Pcs
	Basket	A	1
	Left-side guide rails DB6141Zn/450 or right-side DB6241Zn/450	B	2
	Screw, M4×8	C	10
	Self-tapping screw, ST4×14	E	16
	Front wall support arm	F	2
	Screw, M4×10	D	2



MOUNTING

1 Dimensions for setting of guide rails (B) with the help of self-tapping screws (E). The right or left sidewall is marked depending on the guide rails (B) position (right side DB6241Zn/450 or left-side DB6141Zn/450).

2 It is necessary to align the basket with respect to the mounting hooks at the end of upper and lower guide rail (B) to set the basket on the guide rails. Thereafter, it is required to fix the basket (A) with the help of screws (C).



3 Mark the front wall and set it on the basket (A) with the help of self-tapping screws (E). The assembly process is demonstrated through the example of right-side guide rails (guide rails are located from the right) on the scheme. In case of left-side guide rails (B) the dimensions are symmetrical. In particular, the distance equal to 12 mm is to be at the left from the cabinet.

MOUNTING DIMENSIONS FOR FRONT WALL ASSEMBLY

Name	A
KR25/1/3/150/L	84
KR25/1/3/150/R	84
KR25/1/3/200/L	135
KR25/1/3/200/R	135

