

FLORA KR05 assembly instructions

FLORA KR05 – kitchen bottle basket for modules with the width of 150 and 200 mm set on the guide rails with the function of synchronization and dimensioning

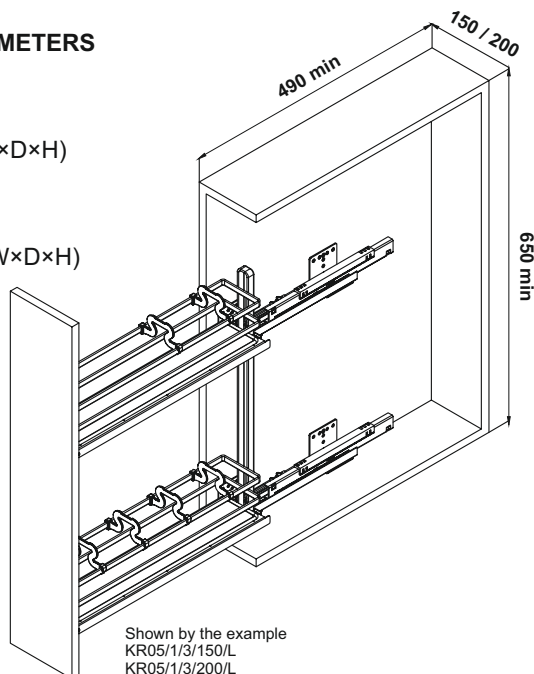
КОМПЛЕКТАЦИЯ

Picture	Name	Tag	Pcs
	Guide rail	A	2
	Support arm	B	2
	Screw M4x8, half-round	C	4
	Front wall holder plate	D	2
	Screw M4x8	E	2
	Bottom	F	2
	Self-tapping screw ST4x16	G	8
	Self-tapping screw ST4x16	H	4
	Dowel	I	4
	Separator	J	6
	Fastener	K	2
	Screw M4x8	L	4
	Basket	M	1
	Master plate of guide rail	N	1
	Master plate of front wall holder plate	O	1

BASKET PARAMETERS

KR05/1/3/150/L
KR05/1/3/150/R
95x473x502 (WxDxH)

KR05/1/3/200/L
KR05/1/3/200/R
145x473x502 (WxDxH)

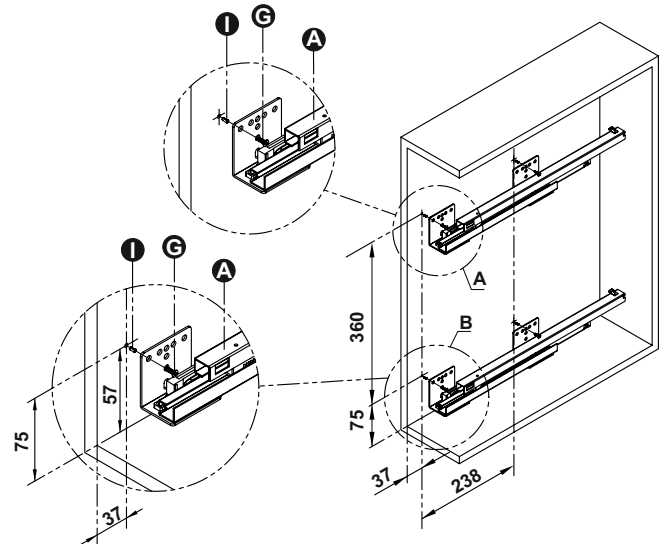


Shown by the example
KR05/1/3/150/L
KR05/1/3/200/L

ASSEMBLY

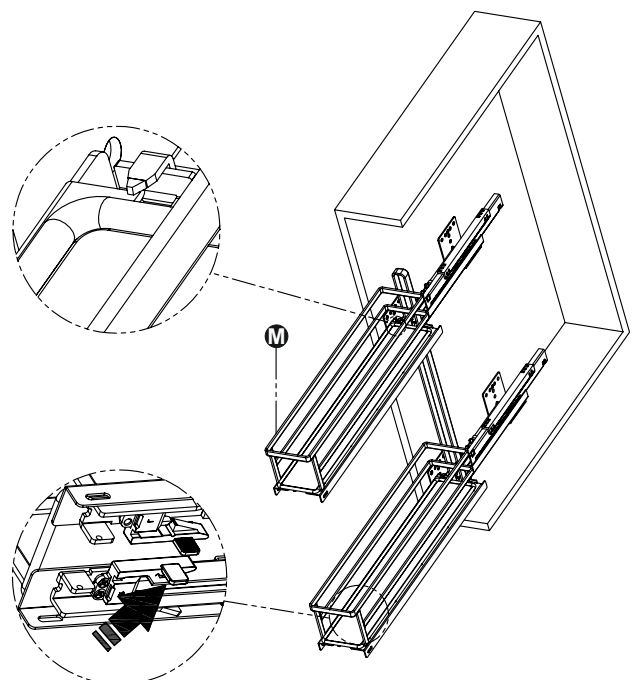
1

- 1.1 Drill the holes with the diameter of 5 mm and depth of 13 mm in accordance with the scheme. It is possible to use the master plate (N) for application of markings.
- 1.2 Set the dowels (I)
- 1.3 Fix the guide rails (A) by means of self-tapping screws (G)



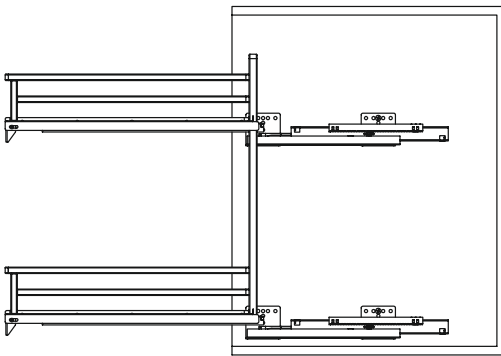
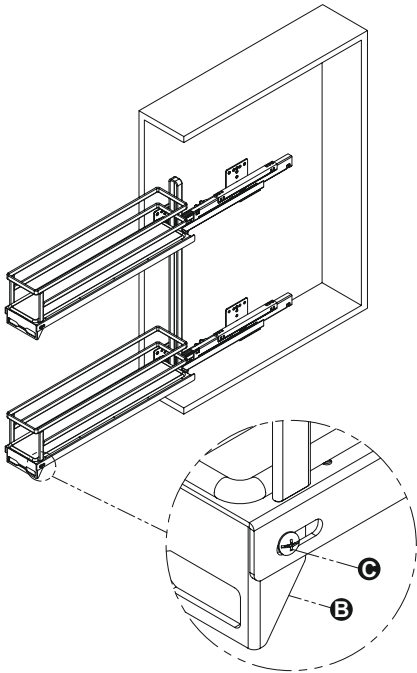
2

- 2.1 Pull out the guide rails (A) from the cabinet
- 2.2 Attach the basket (M) to the guide rails by means of hooks at the end of guide rail and fasteners (K) on the basket; push the basket into the cabinet.

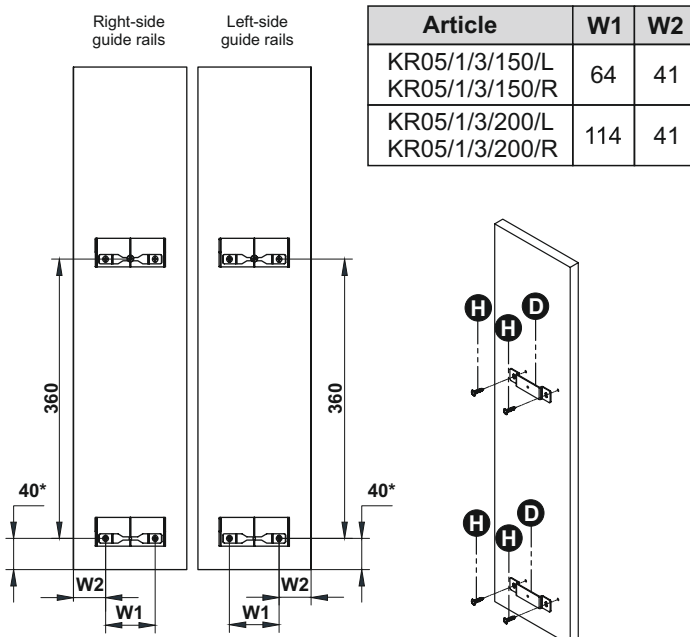


FLORA KR05 assembly instructions

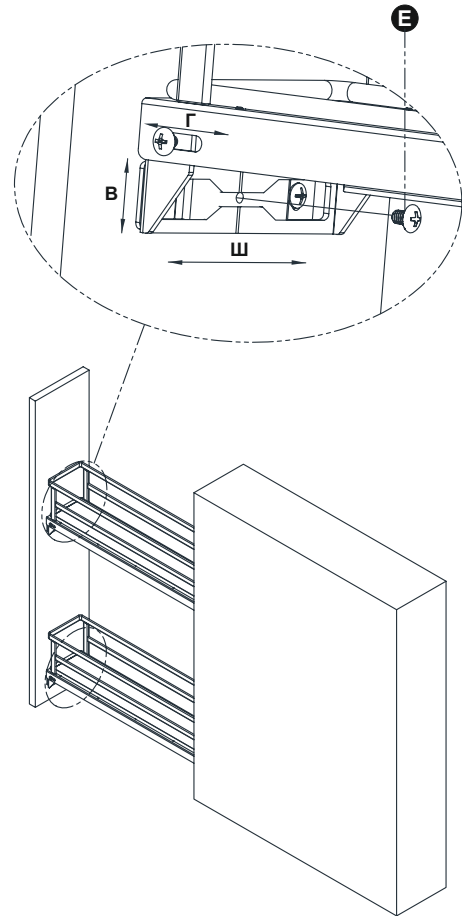
3 Fix the support arm (B) on the basket by means of screws (C)



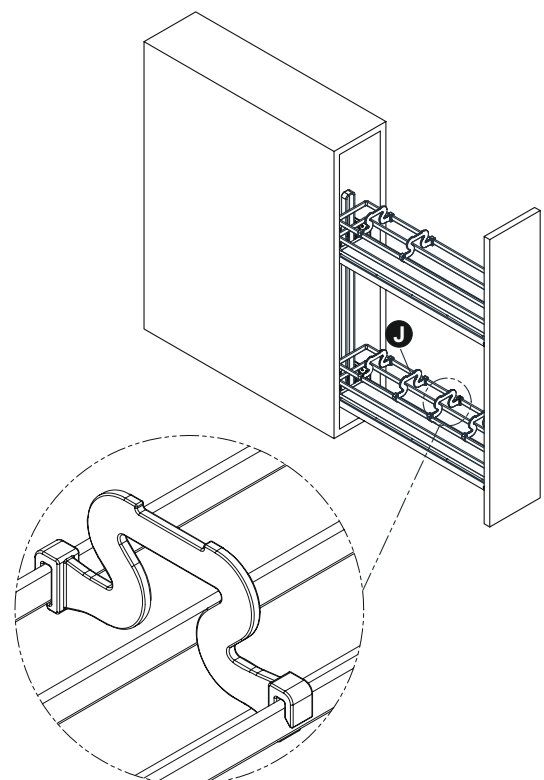
4 Fix the front wall holder plate (D) by means of self-tapping screws (H). It is possible to use the master plate (O) for application of markings.



5 Put the front wall on the basket and adjust.



6 Set the separators (J) on the basket.



! *If the bottom thickness is 16 mm