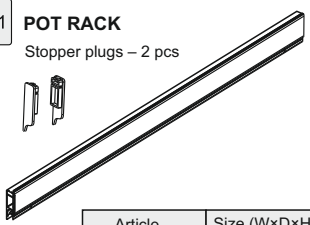

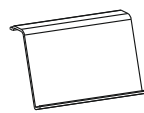

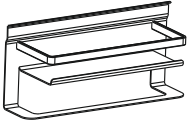
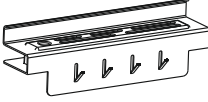
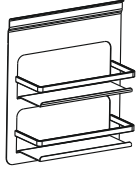
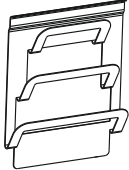


Which accessories will you select?

*All of the details you can buy separately

<p>1 POT RACK Stopper plugs – 2 pcs</p>  <table border="1"> <thead> <tr> <th>Article</th> <th>Size (WxDxH)</th> </tr> </thead> <tbody> <tr> <td>SRC200/CHMP SRC200/TFL</td> <td>800x16x50mm</td> </tr> </tbody> </table>	Article	Size (WxDxH)	SRC200/CHMP SRC200/TFL	800x16x50mm	<p>2 HOOK</p>  <table border="1"> <thead> <tr> <th>Article</th> <th>Size (WxDxH)</th> </tr> </thead> <tbody> <tr> <td>SRH121/CHMP SRH121/TFL</td> <td>5x26x40mm</td> </tr> </tbody> </table>	Article	Size (WxDxH)	SRH121/CHMP SRH121/TFL	5x26x40mm	<p>3 PAD SHELF</p>  <table border="1"> <thead> <tr> <th>Article</th> <th>Size (WxDxH)</th> </tr> </thead> <tbody> <tr> <td>SRK522/CHMP SRK522/TFL</td> <td>144x69x86mm</td> </tr> </tbody> </table>	Article	Size (WxDxH)	SRK522/CHMP SRK522/TFL	144x69x86mm	<p>4 STRAIGHT SHELF</p>  <table border="1"> <thead> <tr> <th>Article</th> <th>Size (WxDxH)</th> </tr> </thead> <tbody> <tr> <td>SRK121/CHMP SRK121/TFL</td> <td>406x131x15mm</td> </tr> </tbody> </table>	Article	Size (WxDxH)	SRK121/CHMP SRK121/TFL	406x131x15mm
Article	Size (WxDxH)																		
SRC200/CHMP SRC200/TFL	800x16x50mm																		
Article	Size (WxDxH)																		
SRH121/CHMP SRH121/TFL	5x26x40mm																		
Article	Size (WxDxH)																		
SRK522/CHMP SRK522/TFL	144x69x86mm																		
Article	Size (WxDxH)																		
SRK121/CHMP SRK121/TFL	406x131x15mm																		
<p>5 SHELF FOR HERBS AND TOWEL</p>  <table border="1"> <thead> <tr> <th>Article</th> <th>Size (WxDxH)</th> </tr> </thead> <tbody> <tr> <td>SRK221/CHMP SRK221/TFL</td> <td>329x118x163mm</td> </tr> </tbody> </table>	Article	Size (WxDxH)	SRK221/CHMP SRK221/TFL	329x118x163mm	<p>6 BUTCHER'S BLOCK</p>  <table border="1"> <thead> <tr> <th>Article</th> <th>Size (WxDxH)</th> </tr> </thead> <tbody> <tr> <td>SRK521/CHMP SRK521/TFL</td> <td>395x89x181mm</td> </tr> </tbody> </table>	Article	Size (WxDxH)	SRK521/CHMP SRK521/TFL	395x89x181mm	<p>7 HERBS SHELF</p>  <table border="1"> <thead> <tr> <th>Article</th> <th>Size (WxDxH)</th> </tr> </thead> <tbody> <tr> <td>SRK222/CHMP SRK222/TFL</td> <td>329x118x402mm</td> </tr> </tbody> </table>	Article	Size (WxDxH)	SRK222/CHMP SRK222/TFL	329x118x402mm	<p>8 COVERS HOLDER</p>  <table border="1"> <thead> <tr> <th>Article</th> <th>Size (WxDxH)</th> </tr> </thead> <tbody> <tr> <td>SRK523/CHMP SRK523/TFL</td> <td>305x50x373mm</td> </tr> </tbody> </table>	Article	Size (WxDxH)	SRK523/CHMP SRK523/TFL	305x50x373mm
Article	Size (WxDxH)																		
SRK221/CHMP SRK221/TFL	329x118x163mm																		
Article	Size (WxDxH)																		
SRK521/CHMP SRK521/TFL	395x89x181mm																		
Article	Size (WxDxH)																		
SRK222/CHMP SRK222/TFL	329x118x402mm																		
Article	Size (WxDxH)																		
SRK523/CHMP SRK523/TFL	305x50x373mm																		

B-PLANUM

B-Planum – kitchen accessories system by BOYARD

The modern kitchen must be functional, good-looking and easy to maintain. Here every centimeter must 'work' but not simply 'fill the place'. At the same time, it should fit with the specified stylistics.

The flat design, stylish color range, convenient structural configuration and boundary utility of B-Planum system will take your kitchen to the next level of ergonomics and allow achieving the computer accuracy during cooking.

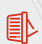
B-Planum by BOYARD.

Probably, we are on the track to excellence as never before.

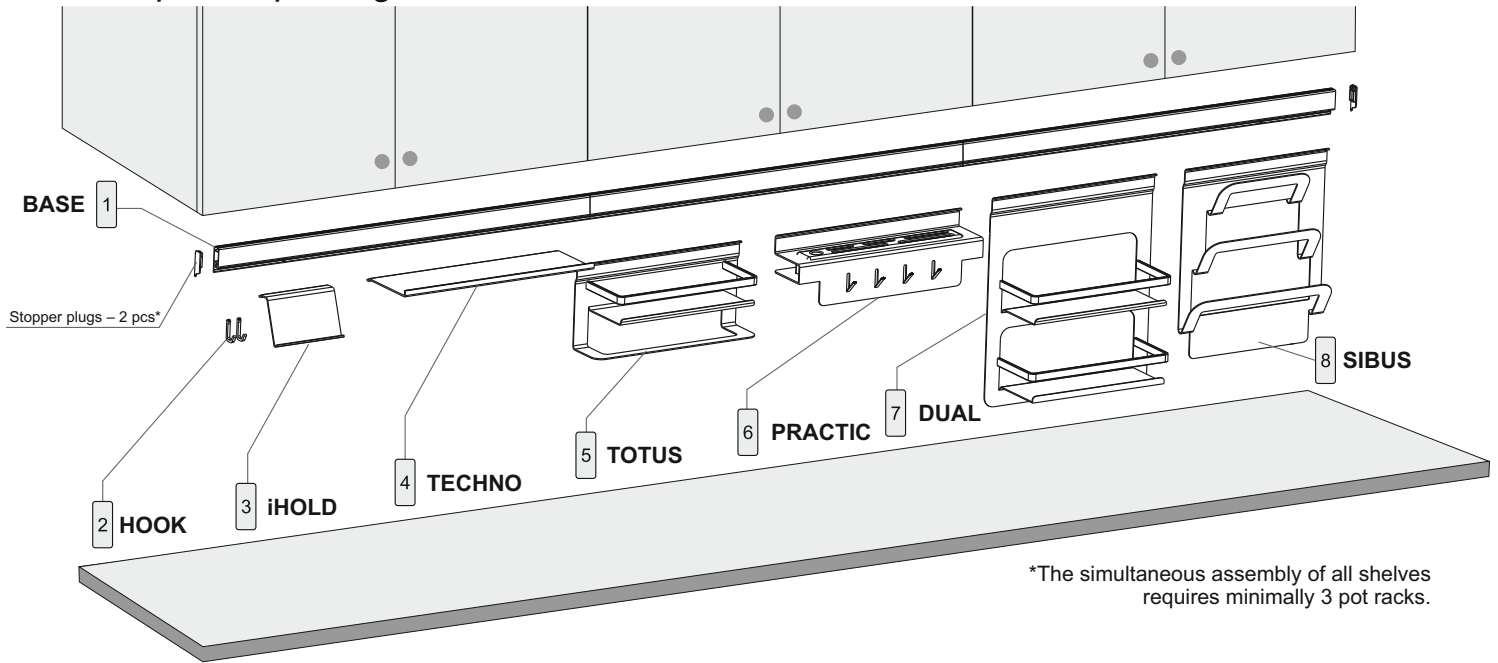
BOYARD
Furniture solution

B-PLANUM

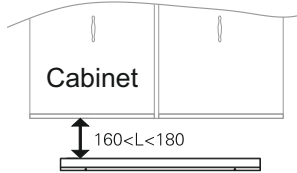
Assembly instructions

 boyard.biz

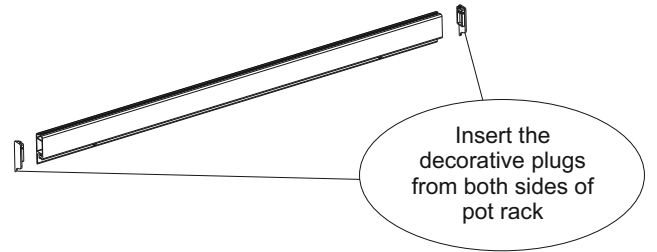
Example of placing of full B-Planum set



BASE pot rack assembly

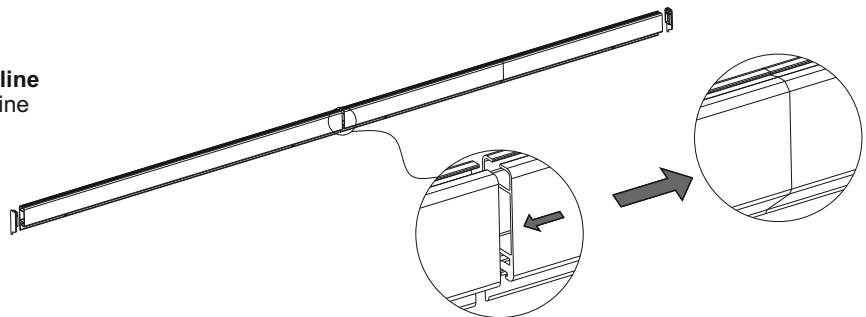


- ① Set the pot rack at the distance of 160-180 mm from the bottom of wall drawer



- ② **Setting of one pot rack**
Set the railing on the wall by means of self-tapping screws
Insert the decorative plugs from both sides of pot rack

- ③ **Setting of several pot racks in line**
Several pot racks may be set in line of the same length in similar way



Assembly of accessories on BASE pot rack

